

OPERATING INSTRUCTIONS FOR SICO TABLE SEATING UNITS.

Be sure you read and understand the following instructions before using this Table Seating Unit. Failure to heed these instructions, and those contained in the yellow warning notice and operator training video may cause the unit to tip over resulting in serious personal injury.

Further copies of the yellow warning notice, this operating instruction and video are available on request.



Sico Europe Limited
 The Link Park,
 Lympne Industrial Estate,
 Lympne, Kent CT21 4LR, England
 Tel: +44 (0) 1303 234000
FREEPHONE: (UK only) 0800 085 8186
 Fax: +44 (0) 1303 234001
 e-mail: sales@sico-europe.com
 www.sico-europe.com

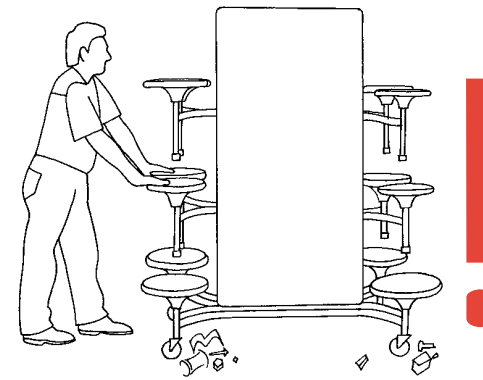
MOVING THE TABLE SEATING UNIT



PUSH FROM END OF TABLE WITH TRANSIT LOCK ENGAGED.

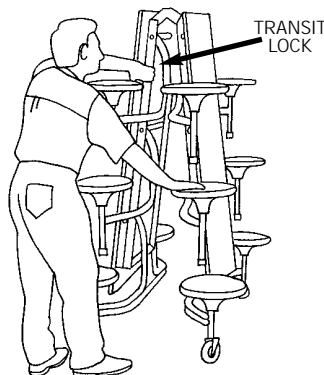


DO NOT PUSH FROM SIDE AS TABLE MAY TIP OVER.

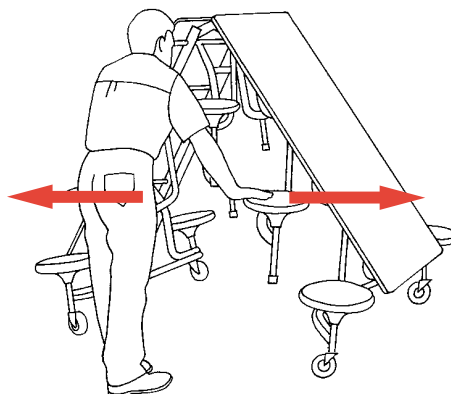


AVOID DEBRIS ON FLOOR.

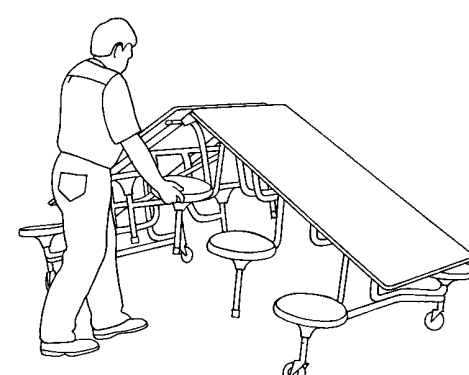
OPENING THE TABLE SEATING UNIT



RELEASE TRANSIT LOCK AND DISENGAGE, THEN GRASP TWO STOOLS ON OPPOSITE SIDES OF THE TABLE.

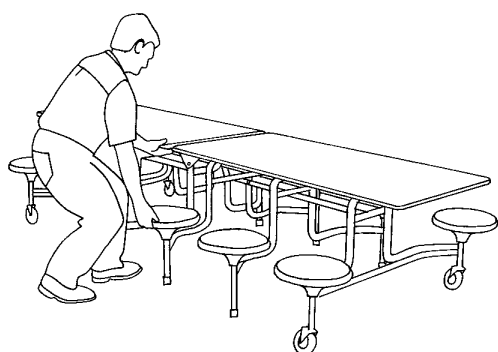


CONTINUE TO OPEN UNIT USING STOOLS AS HANDLES.

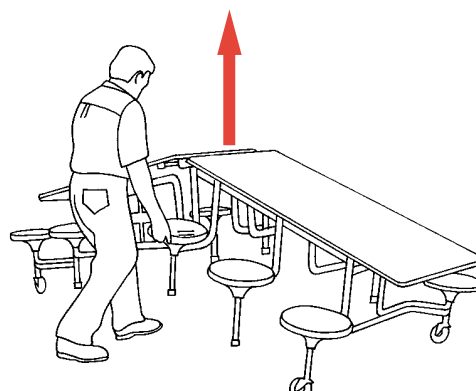


CHANGING GRIP TO BOTH CENTRE STOOLS, EASE TABLE DOWN INTO POSITION.

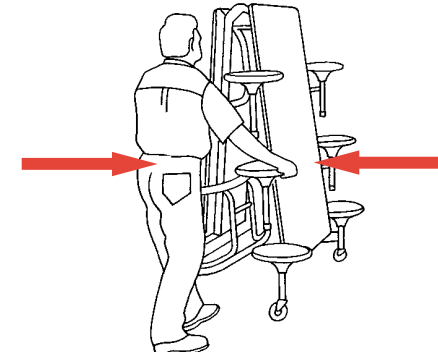
CLOSING THE TABLE SEATING UNIT



DISENGAGE CENTRE LOCK AND LIFT TABLE USING STOOL AS HANDLE.



CONTINUE TO LIFT USING CENTRE STOOLS.



GRASP BOTH MIDDLE STOOLS AND PUSH TOGETHER TO ENGAGE LOCK.

MAINTENANCE CONTRACTS AVAILABLE! TELEPHONE + 44 (0) 1303 234000 FOR DETAILS
 or email: service@sico-europe.com

106801-GB 05/04

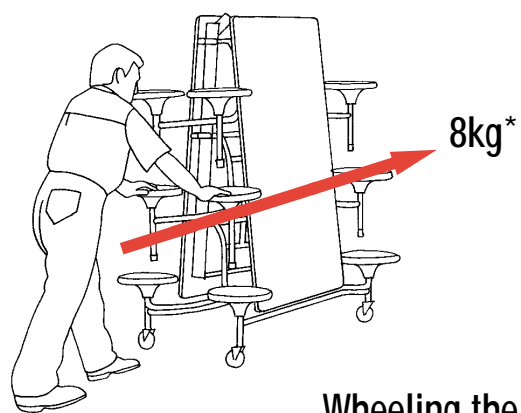
GUIDE FOR RISK ASSESSMENT

OPERATING INSTRUCTIONS FOR SICO TABLE SEATING UNITS CAN BE FOUND OVERLEAF

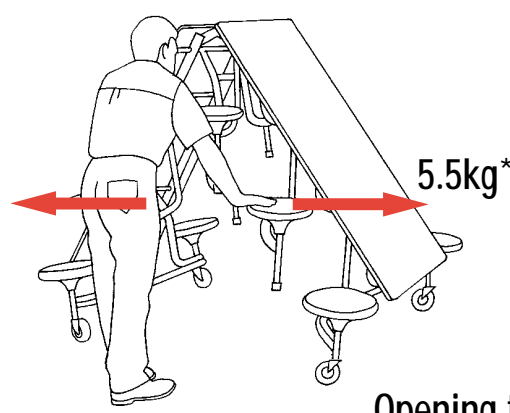
The following information is intended as a guide to help you prepare your own risk assessment.
 *The figures quoted are approximate and are typical of Sico Table Seating Units when new. They will vary depending on size of table and number of seats.
 With age and wear they may become heavier to operate.
 It is essential, therefore, they are subject to effective and regular maintenance.



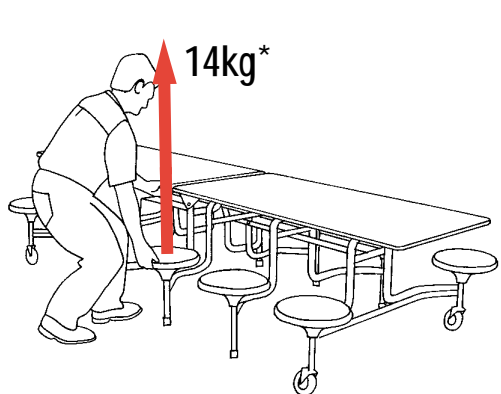
Sico Europe Limited
 The Link Park,
 Lympne Industrial Estate,
 Lympne, Kent CT21 4LR, England
 Tel: +44 (0) 1303 234000
FREEPHONE: (UK only) 0800 085 8186
 Fax: +44 (0) 1303 234001
 e-mail: sales@sico-europe.com
 www.sico-europe.com



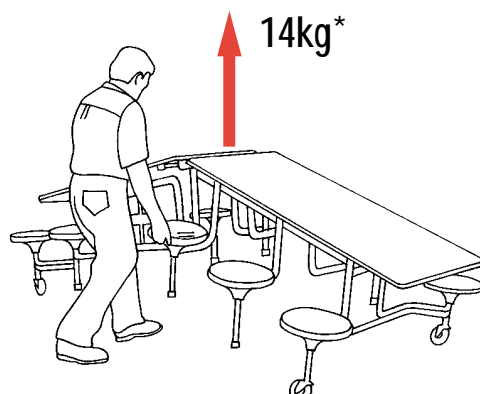
Wheeling the unit



Opening the unit

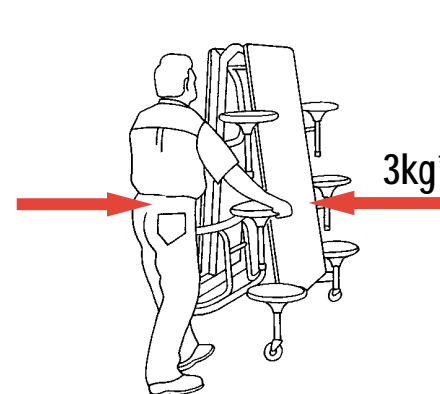


Raising



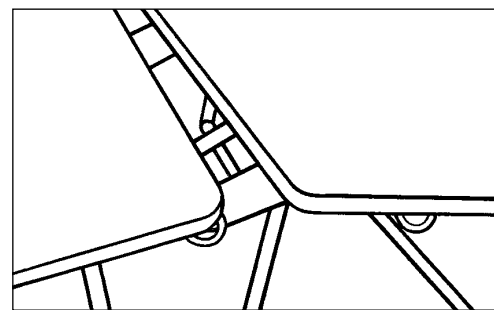
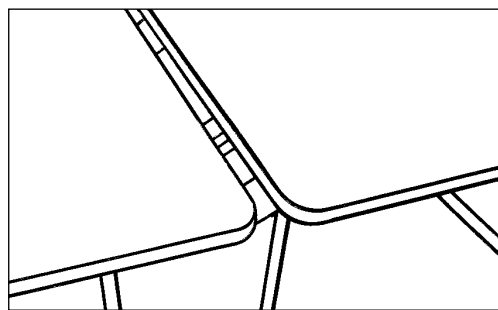
folding

and closing



the unit

When a Sico table seating unit is unfolded for use, a small gap remains between the two leaves to facilitate cleaning. If anything should become wedged between the leaves simply begin to raise the table (as illustrated below), as if to fold the unit, thus enlarging the gap and freeing the obstruction.



MAINTENANCE CONTRACTS AVAILABLE! TELEPHONE + 44 (0) 1303 234000 FOR DETAILS
 or email: service@sico-europe.com

106801-GB 05/04